

## Installing Toner Cartridges on the magicolor 2200 Series

**Note** If the printer has indicated that the unit is low/empty/depleted, then you need to purchase a BRAND NEW unit and install it.

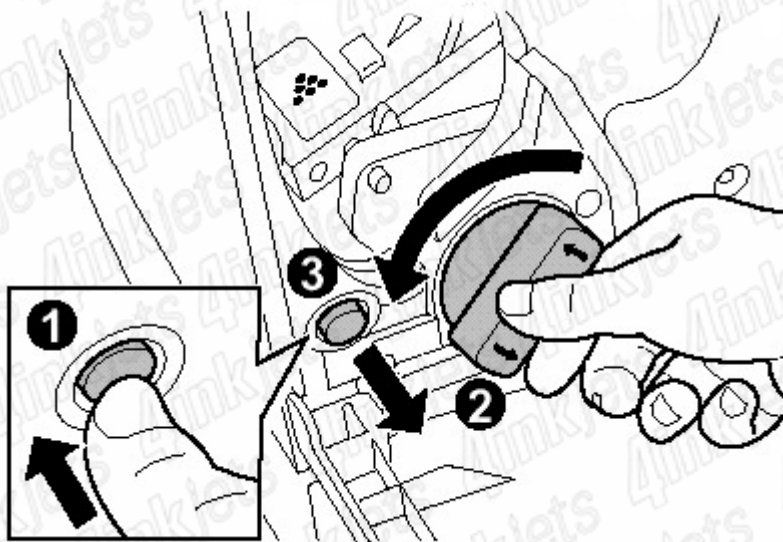
Your printer uses four toner cartridges: cyan, magenta, yellow, and black.

**Note** The toner is nontoxic. If you get toner on your hands, wash them in cool water. If you get toner on your clothes, lightly dust them off as much as possible. If some toner remains on your clothes, use cool, not hot water, to rinse the toner off, provided your clothing is washable.

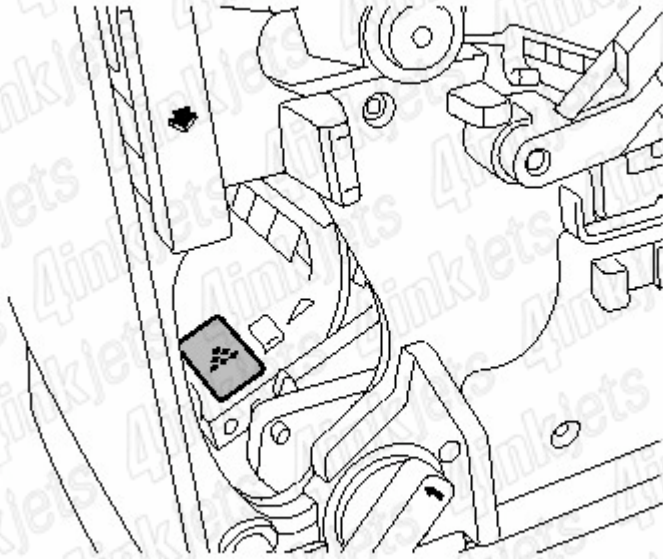
**Warning** If you get toner in your eyes, wash it out immediately with cool water and consult a doctor.

1. Open the printer's front cover.
2. Press and release the toner cartridge rack release button (1) and turn the rack dial counterclockwise towards (2) until it stops.

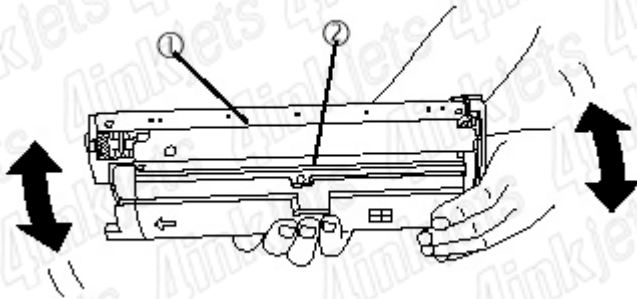
**Note** The rack rotates 90° and stops. The toner cartridge rack may start to turn automatically from the weight of the inserted toner cartridge. Make sure you have fully turned to the next slot before trying to insert another toner cartridge.



3. Remove the toner cartridge from the box that has the same color display label as in the toner cartridge rack.



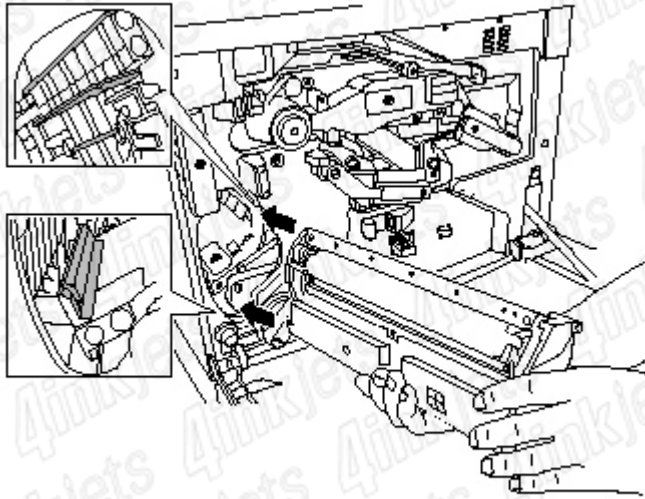
4. Holding a cartridge with both hands, gently rock it from side-to-side five or six times to distribute the toner.



**Caution** Do not touch the toner roller surface (1) or move the protective shutter (2) away. This could lower image quality. Do not hold a toner cartridge vertically.

**Note** Each toner cartridge has a colored end that corresponds to a colored label inside the cartridge slots. Always install the toner cartridge in the slot with a label of the same color.

5. Place the front end of the 2 toner cartridge guides into the 2 cartridge guide rails on the cartridge rack and gently push the cartridge into the printer until it clicks.



**Note** Make sure the cartridge is fully inserted. If a toner cartridge doesn't slide in easily, don't force it.

6. Repeat steps 1 through 4 until all the toner cartridges are installed.