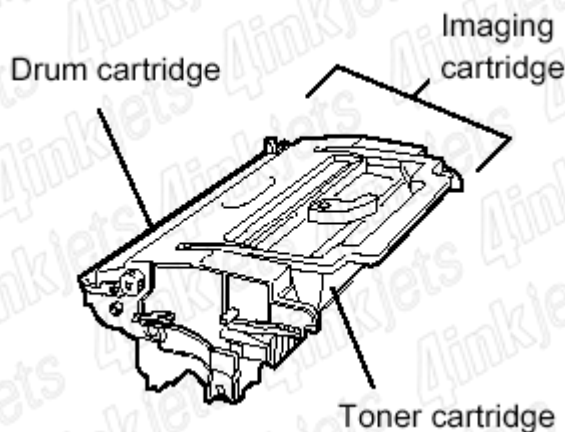


Replacing the Toner Cartridge on the PagePro 1300 Series

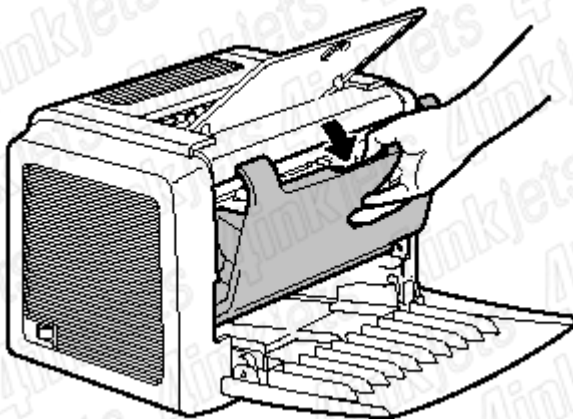
- A toner cartridge that ships with the printer, at 5% coverage will last approximately 1500 prints.
- A standard replacement toner cartridge should last 3000 prints (at 5% coverage) of continuous printing, or 2400 prints (at 5% coverage) in intermittent printing.
- A high capacity replacement toner cartridge should last 6000 prints (at 5% coverage) of continuous printing, or 4800 prints (at 5% coverage) in intermittent printing.

When it is time to replace the toner cartridge, 'Toner Low' displays in the Status Display. The supplies status indication in the Status Display is only a reference. Printing can continue even though the warning appears. However, printing gradually fades out, so replace the toner cartridge as soon as possible.

Note Below, a toner cartridge attached to a drum cartridge is referred to as an *imaging cartridge*.



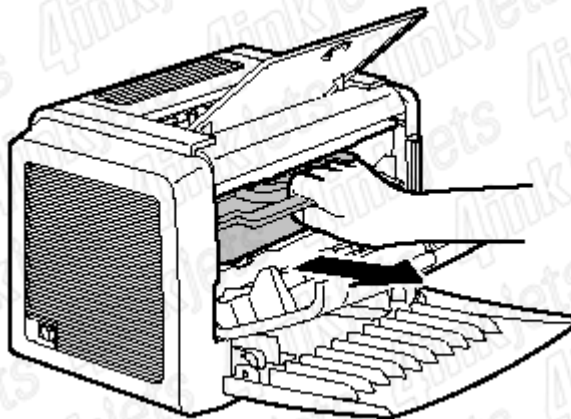
1. Grab the front cover grip and open the front cover.



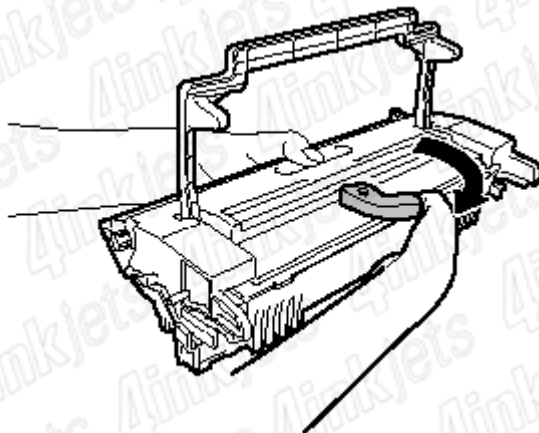
2. Pull the handle of the imaging cartridge toward you, and then pull out the imaging cartridge.

Caution Do not expose the imaging cartridge to light for a long period of time. If the drum cartridge is exposed to light, decreased image quality may result.

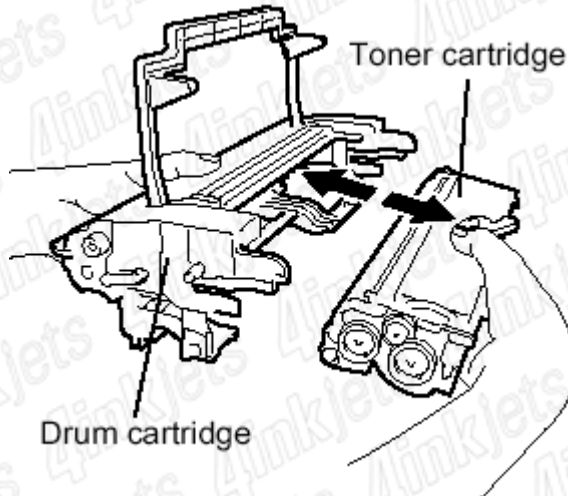
Note If the cartridge seems to be stuck and you simply cannot pull it out, click here for instructions on [removing a stuck toner cartridge](#). Then, return BACK to this document to finish the instructions below.



3. Move the lever on the toner cartridge in the direction of the arrow.



4. Using both hands, separate the toner cartridge and drum cartridge.



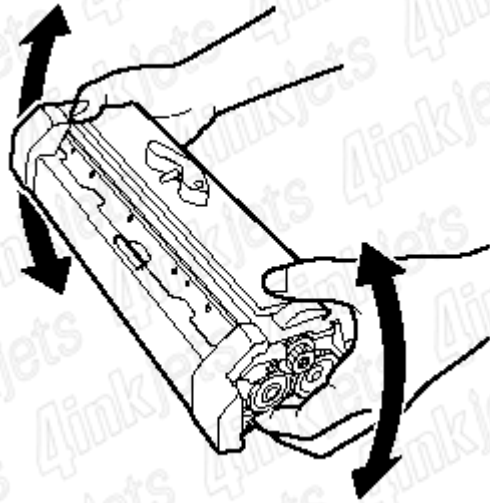
Caution When separating the toner cartridge and drum cartridge, keep them level. Do not touch the developing roller of the toner cartridge (shown on left of image below). Do not touch the OPC drum (shown on right in image below) under the flap of the drum cartridge, otherwise decreased image quality may result. Do not touch any metal parts of the drum cartridge and toner cartridge, otherwise damage from static electricity may result.



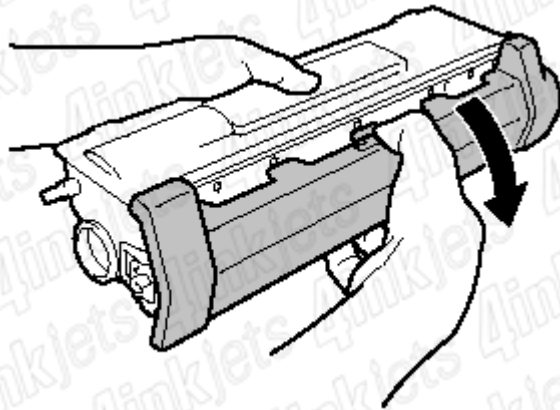
5. Remove a new toner cartridge from its box.

Note Do not throw away the box. It may be used to pack the used toner cartridge.

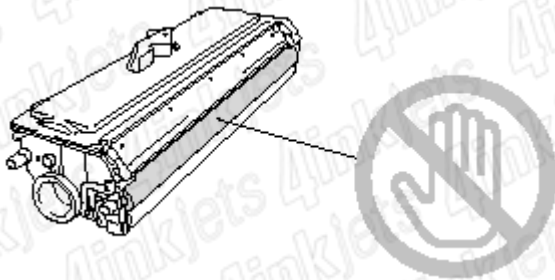
6. Holding it firmly with both hands, rock the toner cartridge left and right, to distribute the toner evenly.



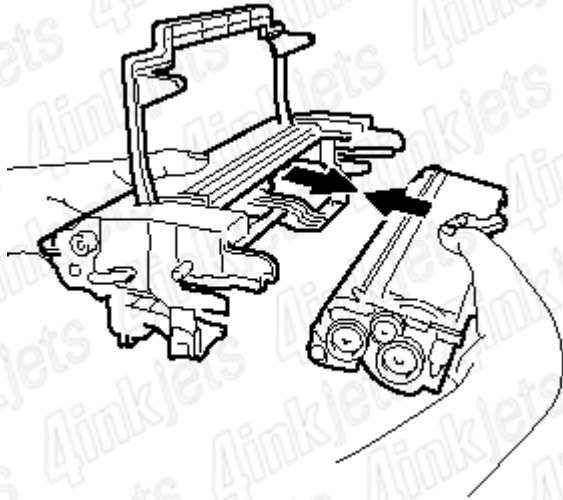
7. Remove the protective cover from the toner cartridge.



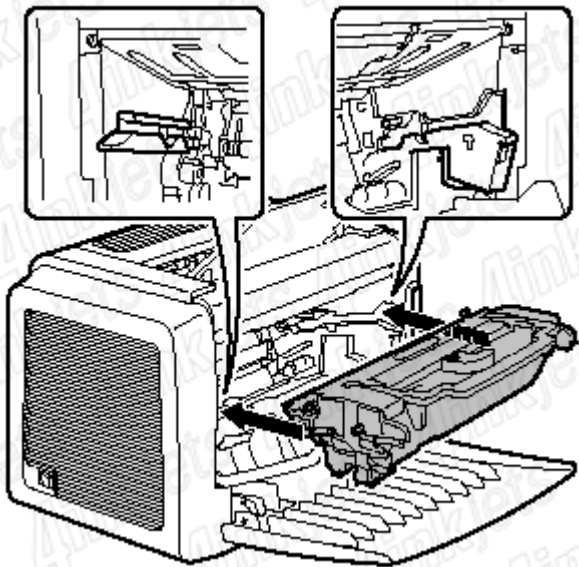
Caution Do not touch the developing roller of the toner cartridge, otherwise decreased image quality may result.



8. Holding both the toner cartridge and the drum cartridge in your hands, align the colored guide on the drum cartridge with the matching colored projection on the toner cartridge to fit the two cartridges together.

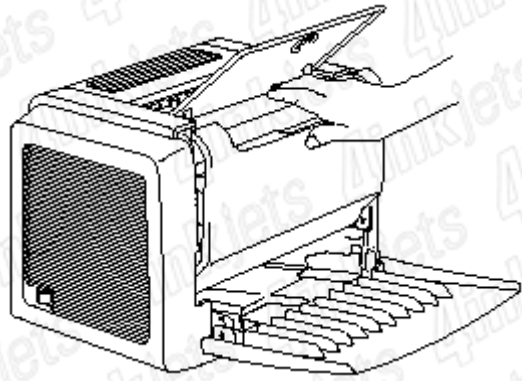


9. Align the imaging cartridge with the guides in the printer, and then insert the cartridge.



Caution Do not insert the imaging cartridge at an angle or with extreme force, otherwise the printer may be damaged.

10. Press on the front cover grip and close the front cover.



11. Place the used toner cartridge into the box that came with the new toner cartridge.