

# Replacing the Toner Cartridge on the PagePro 1400W

- A standard replacement toner cartridge should last 2000 prints (at 5% coverage) of continuous printing.

**Note** *The toner cartridge life will be shorter when using intermittent printing.*

## Refilled Toner Cartridges

**Note** **Do not use refilled toner cartridges. Any damage to the printer or quality problems caused by a refilled toner cartridge will void your warranty. No technical support is provided to recover from these problems.**

## About Toner Cartridges

This printer uses a black toner cartridge. Handle the toner cartridges carefully to avoid spilling toner inside the printer or on yourself.

-- *The toner is nontoxic. If you get toner on your skin, wash it off with cool water and a mild soap. If you get toner on your clothes, lightly dust them off as best as you can. If some toner remains on your clothes, use cool, not hot water, to rinse the toner off.*

**Caution** **If you get toner in your eyes, wash it out immediately with cool water and consult a doctor.**

Keep toner cartridges:

- In their packaging until you're ready to install them.
- In a cool, dry location away from sunlight (due to heat).

*The maximum storage temperature is 35°C (95°F) and the maximum storage humidity is 85% (noncondensing). If the toner cartridge is moved from a cold place to a warm, humid place, condensation may occur, degrading print quality. Allow the toner to adapt to the environment for about one hour before use.*

- Level during handling and storage.

*Do not hold, stand or store cartridges on their ends or turn them upside down; the toner inside the cartridges may become caked or unequally distributed.*

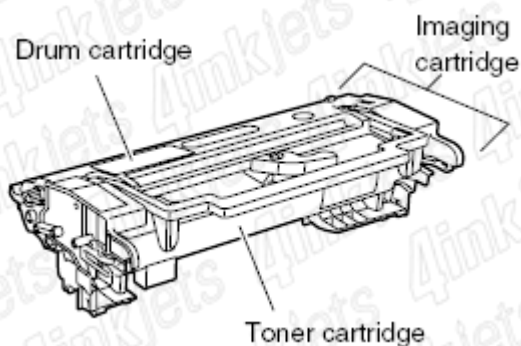


- Away from salty air and corrosive gases such as aerosols.

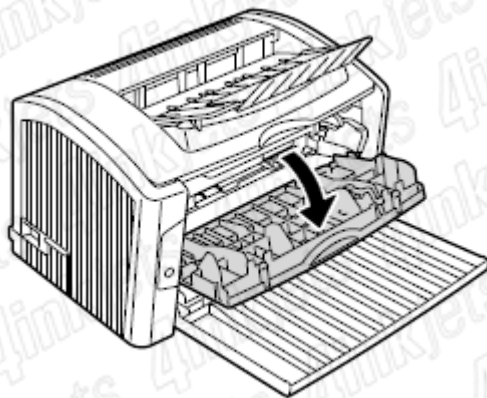
**Note** Be careful not to spill toner while replacing a toner cartridge. If toner spills, immediately wipe it off with a soft, dry cloth.

When the toner cartridge is worn out, the indicator on the control panel lights up. After the toner cartridge is replaced, the printer automatically resets the consumables count.

-- In this manual, a toner cartridge attached to a drum cartridge is an imaging cartridge.

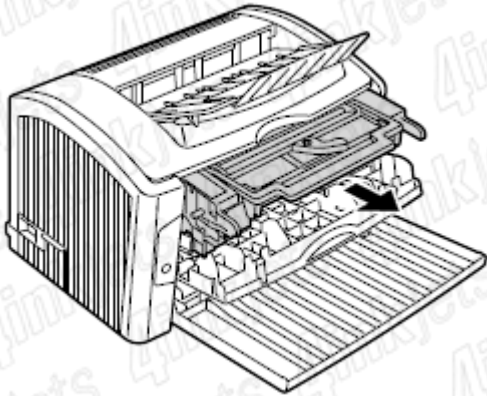


1. Grab the front cover grip and open the front cover.

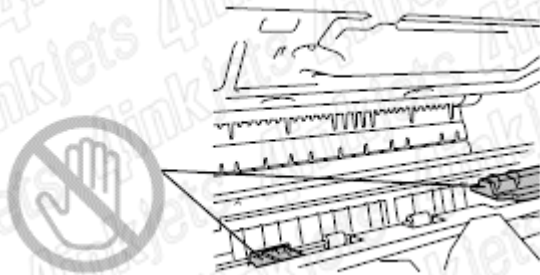


2. Pull the handle of the imaging cartridge toward you, and then pull out the imaging cartridge.

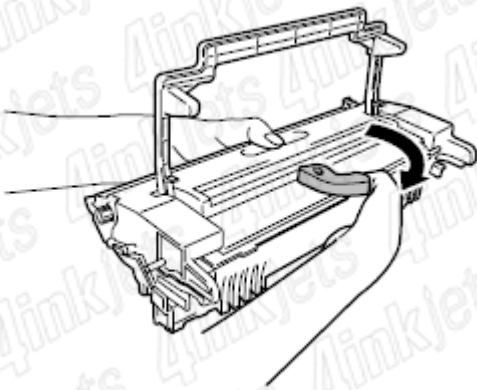
**Note** Do not expose the imaging cartridge to light for a long period of time. If the drum cartridge is exposed to light, decreased image quality may result.



**Note** Do not touch the parts indicated in the image below; otherwise, the electronic parts of the printer may be damaged by static electricity from your body. Any damage resulting from mishandling of the print unit will void the warranty of the printer.



3. Move the lever on the toner cartridge in the direction of the arrow.



4. Using both hands, separate the toner cartridge and drum cartridge.



**Note** When separating the toner cartridge and drum cartridge, keep them level. Do not touch the PC drum under the flap of the drum cartridge; otherwise, decreased image quality may result. Do not touch any metal parts of the drum cartridge and toner cartridge; otherwise, damage from static electricity may result.

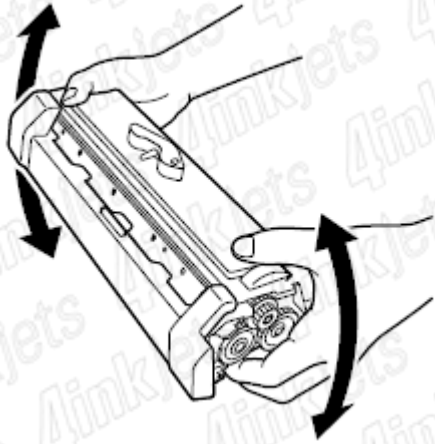


**Note** Dispose of the empty toner cartridge according to your local regulations. Do not burn the toner cartridge.

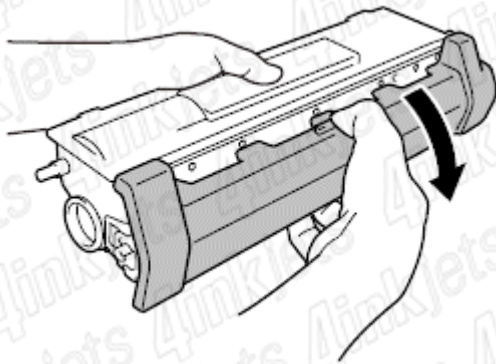
5. Remove the new toner cartridge from its box.

-- Do not throw away the box. It will be used to pack the used toner cartridge.

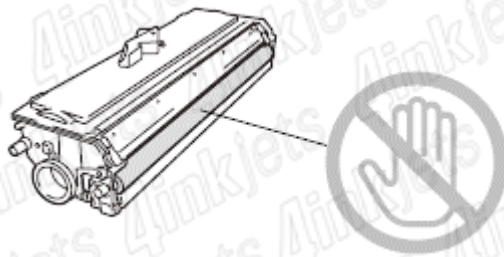
6. Holding it firmly with both hands, rock the toner cartridge left and right, forward and backward, to distribute the toner evenly.



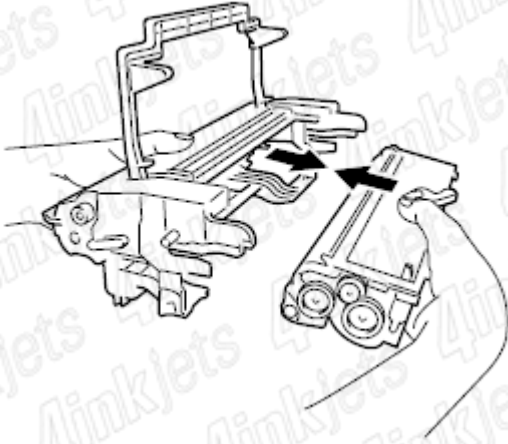
7. Remove the protective cover from the toner cartridge.



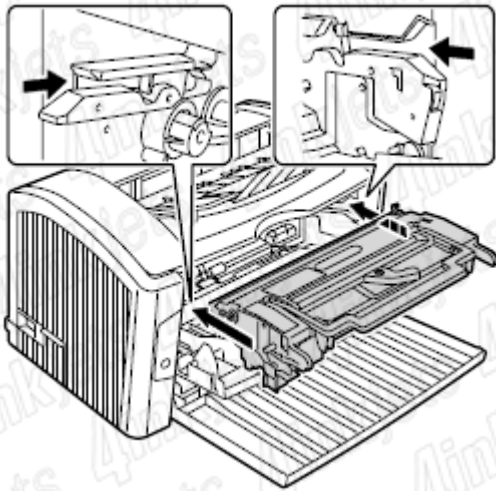
**Note** Do not touch the developing roller of the toner cartridge; otherwise, decreased image quality may result.



8. While hold both the toner cartridge and the drum cartridge in your hands, align the colored guide on the drum cartridge with the matching colored boss on the toner cartridge to fit the two cartridges together.

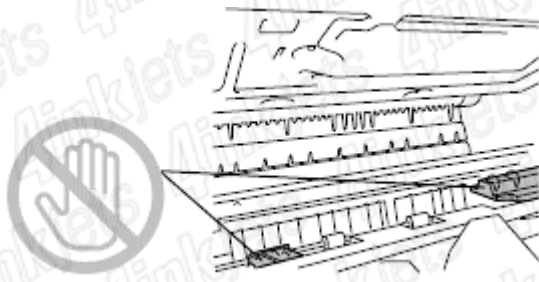


9. Align the imaging cartridge with the guides in the printer, and then insert the cartridge.

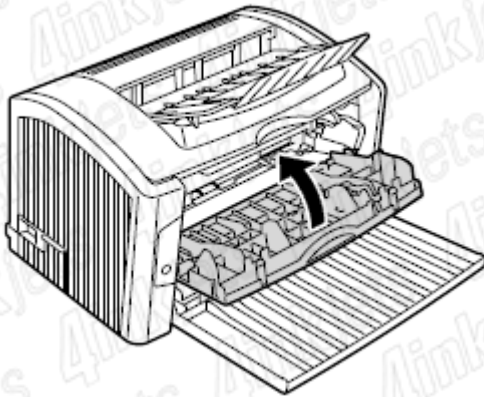


**Note** Do not insert the imaging cartridge at an angle or with extreme force; otherwise, the printer may be damaged.

**Note** Do not touch the parts indicated in the image below; otherwise, the electronic parts of the printer may be damaged by static electricity from your body. Any damage resulting from mishandling of the print unit will void the warranty of the printer.



10. Press on the front cover grip and close the front cover.



11. Place the used toner cartridge into the box that the new toner cartridge was packed in.